

Customization is available
Products and specifications are
subject to be changed without notice

Options

- 2.0-5.0m / 79-197 inch duplex mast
- 2.5-4.0m / 98-157 inch full free duplex mast
- 4.3-6.5m./169-256 inch triplex mast
- Special carriage and backrest
- Other dimension forks
- Dual drive wheel with fender
- Solid tyre
- Colored tyre (white / green)
- Cabin
- Heater and air condition
- Fire extinguisher
- Semi-suspension seat or full-suspension seat
- Dual air cleaner or special air cleaner
- Rear working light
- Customer painting
- Auxiliary hydraulic valve modules
- High-mounted exhaust system
- Middle-mounted exhaust system
- Anti-fire spark exhaust device
- Diesel exhaust das purifier
- Radiator screen
- Side shifter
- Integrated side shifter
- Other attachment



DeWERK
Technical Equipment

AFA TS GmbH
D-72661 Grafenberg / Germany
Phone: +49(0)7123-97382-0
Fax: +49(0)7123-97382-90
Website: www.afa-ts.com
Email: mail@afa-ts.de

DeWERK CE
Technical Equipment ISO9000

Series

2.0/2.5/3.0/3.5T
4400/5500/6600/7700lb
Diesel/Gasoline/LPG





Wide-View Mast
 The operator is able to work with increased safety and accuracy due to a wider view mast.



Adjustable Steering Wheel
 Steering wheel can be adjusted by a lever on the right-hand side for the most comfortable operator position.



Brake Oil
 Easy to check and add brake oil.



Easily-Detached Floor Panel
 One-touch removal of the floorboard gets you right to service operations and reduces down-time.



Simple, Small-Stroke F/R Lever
 The forward-reverse lever swings through a smaller arc than previous models, meaning less effort and less total time used during this basic, often-performed function.



Automobile-Style Light/Turn-Signal Lever
 The automotive influence seen in the T Series extends to the thoughtful use of an automobile-style light and turn-signal lever, with simple actions that let the operator focus on the job.



Wide-Open Operation Space
 The area between the foot pedals and the body below the seat is open and free of obstructions that hamper entering and exiting the forklift.



Option
 Special carriage and backrest
 Other dimension forks
 Dual drive wheel with fender
 Cabin
 Heater and air condition
 Dual air cleaner or special air cleaner
 Rear working light

Custom color paint
 High-mounted exhaust system
 Middle-mounted exhaust system
 Sideshifter
 Other attachment
 Lpg fuel system (single, dual)

DW series 2.0-3.5t forklift specification:

General	1	Manufacture																					
	2	Model	DW20T-TD27	DW20T-NE92	DW20T-A490	DW20T-C490	DW20T-F2	DW25T-TD27	DW25T-NE92	DW25T-A490	DW25T-C490	DW25T-F2	DW30T-TD27	DW30T-QD32	DW30T-A490	DW30T-C490	DW30T-A498	DW30T-F2	DW35T-TD27	DW35T-QD32	DW35T-A498	DW35T-F2	
	3	Power type	Diesel	Diesel	Diesel	Diesel	Gasoline	Diesel	Diesel	Diesel	Diesel	Gasoline	Diesel	Diesel	Diesel	Diesel	Gasoline	Diesel	Diesel	Diesel	Diesel	Gasoline	
	4	Rated capacity	Kg	2000	2000	2000	2000	2000	2500	2500	2500	2500	3000	3000	3000	3000	3000	3000	3000	3500	3500	3500	
	5	Load center	mm	500	500	500	500	500	500	500	500	500	500	500	500	500	500	500	500	500	500	500	
Characteristics & Dimensions	6	Lift height	mm	3000	3000	3000	3000	3000	3000	3000	3000	3000	3000	3000	3000	3000	3000	3000	3000	3000	3000	3000	
	7	Free lift height	mm	120	120	120	120	120	120	120	120	120	120	120	120	120	120	120	120	120	120	120	
	8	Fork size	L*W*T	mm	920*100*40	920*100*40	920*100*40	920*100*40	920*100*40	920*100*40	920*100*40	920*100*40	920*100*40	920*125*40	920*125*40	920*125*40	920*125*40	920*125*40	920*125*40	920*125*40	920*125*40	920*125*40	
	9	Mast tilt range	F/R	deg	6/12	6/12	6/12	6/12	6/12	6/12	6/12	6/12	6/12	6/12	6/12	6/12	6/12	6/12	6/12	6/12	6/12	6/12	
	10	Fork overhang(wheel center to fork face)	mm	440	440	440	440	440	440	440	440	440	440	440	440	440	440	440	440	492	492	492	
	11	Rear overhang	mm	485	485	485	485	485	550	550	550	550	550	590	590	590	590	590	590	590	590	590	
	12	Overall dimensions	Length to face of fork	mm	2530	2530	2530	2530	2530	2600	2600	2600	2600	2600	2730	2730	2730	2730	2730	2730	2790	2790	
	13		Overall width	mm	1150	1150	1150	1150	1150	1150	1150	1150	1150	1150	1250	1250	1250	1250	1250	1250	1250	1250	
	14		Most lowered height	mm	1995	1995	1995	1995	1995	1995	1995	1995	1995	1995	2005	2005	2005	2005	2005	2005	2017	2017	
	15		Most extended height	mm	4200	4200	4200	4200	4200	4200	4200	4200	4200	4200	4210	4210	4210	4210	4210	4210	4210	4210	
16	Overhead guard height	mm	2130	2130	2130	2130	2130	2130	2130	2130	2130	2130	2180	2180	2180	2180	2180	2180	2180	2180	2180		
17	Turning radius(outside)	mm	2170	2170	2170	2170	2170	2240	2240	2240	2240	2240	2450	2450	2450	2450	2450	2450	2510	2510	2510		
18	Min.right angle stacking aisle width (Add load length and clearance)	mm	2680	2680	2680	2680	2680	2750	2750	2750	2750	2750	2950	2950	2950	2950	2950	2950	3000	3000	3000		
19	AST with pallet 800*1000mm	mm	3753	3753	3753	3753	3753	3823	3823	3823	3823	3823	3873	3873	3873	3873	3873	3873	3923	3923	3923		
Performance	20	Speed	Travel (No load)	Km/h	20	20	20	20	20	20	20	20	18.5	18.5	18.5	18.5	18.5	18.5	18	18	18		
	21		Lifting (Full load)	mm/sec	450	450	450	450	450	450	450	450	400	400	400	400	400	400	400	400	400		
	22		Lowering (Full load)	mm/sec	450	450	450	450	450	450	450	450	400	400	400	400	400	400	450	450	450		
	23	Max.Drawbar Pull (Full load)	N	17500	17500	17500	17500	17500	17500	17500	17500	17500	21000	21000	21000	21000	21000	21000	23100	23100	23100		
24	Max.Gradeability (Full load)	%	20	20	20	20	20	20	20	20	20	20	20	20	20	20	20	18	18	18			
Chassis	25	Tyres	Front		7.00-12-12PR	7.00-12-12PR	7.00-12-12PR	7.00-12-12PR	7.00-12-12PR	7.00-12-12PR	7.00-12-12PR	7.00-12-12PR	7.00-12-12PR	28*9-15-12PR	28*9-15-12PR	28*9-15-12PR	28*9-15-12PR	28*9-15-12PR	28*9-15-12PR	28*9-15-12PR	28*9-15-12PR		
	26		Rear		6.00-9-10PR	6.00-9-10PR	6.00-9-10PR	6.00-9-10PR	6.00-9-10PR	6.00-9-10PR	6.00-9-10PR	6.00-9-10PR	6.00-9-10PR	6.50-10-10PR	6.50-10-10PR	6.50-10-10PR	6.50-10-10PR	6.50-10-10PR	6.50-10-10PR	6.50-10-10PR	6.50-10-10PR		
	27	Tread	Front	mm	970	970	970	970	970	970	970	970	970	1010	1010	1010	1010	1010	1010	1010	1010		
	28		Rear	mm	970	970	970	970	970	970	970	970	970	980	980	980	980	980	980	980	980		
	29	Wheelbase	mm	1600	1600	1600	1600	1600	1600	1600	1600	1600	1600	1700	1700	1700	1700	1700	1700	1760	1760		
	30	Ground clearance	Lowest	mm	120	120	120	120	120	120	120	120	120	140	140	140	140	140	140	140	140		
31	Wheelbase center		mm	145	145	145	145	145	145	145	145	145	175	175	175	175	175	175	175	175			
Weight	32	Self weight	Kg	3570	3570	3570	3570	3570	3900	3900	3900	3900	3900	4450	4450	4450	4450	4450	4650	4650	4650		
	33	Weight Distribution	Full load	Front	Kg	4846	4846	4846	4846	4846	5568	5568	5568	5568	5568	6488	6488	6488	6488	7091	7091		
	34			Rear	Kg	724	724	724	724	724	832	832	832	832	832	832	962	962	962	962	1060		
	35		No load	Front	Kg	1428	1428	1428	1428	1428	1560	1560	1560	1560	1560	1810	1810	1810	1810	1810	1860		
36	Rear			Kg	2142	2142	2142	2142	2142	2340	2340	2340	2340	2340	2640	2640	2640	2640	2790	2790			
Power & transmission	37	Battery	V/AH	12/60	12/60	12/80	12/80	12/80	12/60	12/60	12/80	12/80	12/80	12/60	12/60	12/80	12/80	12/80	12/60	12/60	12/80		
	38	Model		TD27	4TNE92	A490BPG	C490BPG	F2(2.2L)	TD27	4TNE92	A490BPG	C490BPG	F2(2.2L)	TD27	QD32	A490BPG	C490BPG	A498BPG	F2(2.2L)	TD27	QD32		
	39	Manufactur		NISSAN DIESEL	YANMAR	DWK	DWK	MAZDA	NISSAN DIESEL	YANMAR	DWK	DWK	MAZDA	NISSAN DIESEL	NISSAN DIESEL	DWK	DWK	DWK	MAZDA	NISSAN DIESEL	NISSAN DIESEL		
	40	Rated output/r.p.m	kw	44/2500	33/2450	37/2650	36.8/2650	37.2/2700	44/2500	33/2450	37/2650	36.8/2650	37.2/2700	44/2500	44/2300	37/2650	36.8/2650	45/2500	37.2/2700	44/2500	44/2300		
	41	Rated torque/r.p.m	N.m	172/1600	136/1600	148/1800	156/1700	142/1800	172/1600	136/1600	148/1800	156/1700	142/1800	172/1600	189/1800	148/1800	156/1700	193/1600	142/1800	172/1600	189/1800		
	42	No.of cylinder		4	4	4	4	4	4	4	4	4	4	4	4	4	4	4	4	4	4		
	43	Bore*Stroke	mm	96*92	92*100	90*100	90*105	86*94	96*92	92*100	90*100	90*105	86*94	96*92	99*102	90*100	90*105	98*105	86*94	96*92	99*102		
	44	Displacement	cc	2663	2659	2540	2670	2184	2663	2659	2540	2670	2184	2663	3153	2540	2670	3168	2184	2663	3153		
	45	Fuel tank capacity	L	60	60	60	60	60	60	60	60	60	60	60	60	60	60	60	60	60	60		
	46																						
	47	Transmissions	Type		Powershift	Powershift	Powershift	Powershift	Powershift	Powershift	Powershift	Powershift	Powershift	Powershift	Powershift	Powershift	Powershift	Powershift	Powershift	Powershift	Powershift	Powershift	
48		Stage	FWD/RVS		1/1	1/1	1/1	1/1	1/1	1/1	1/1	1/1	1/1	1/1	1/1	1/1	1/1	1/1	1/1	1/1	1/1		
49	Operating pressure	For attachments	Mpa	17.5	17.5	17.5	17.5	17.5	17.5	17.5	17.5	17.5	17.5	17.5	17.5	17.5	17.5	17.5	17.5	17.5			

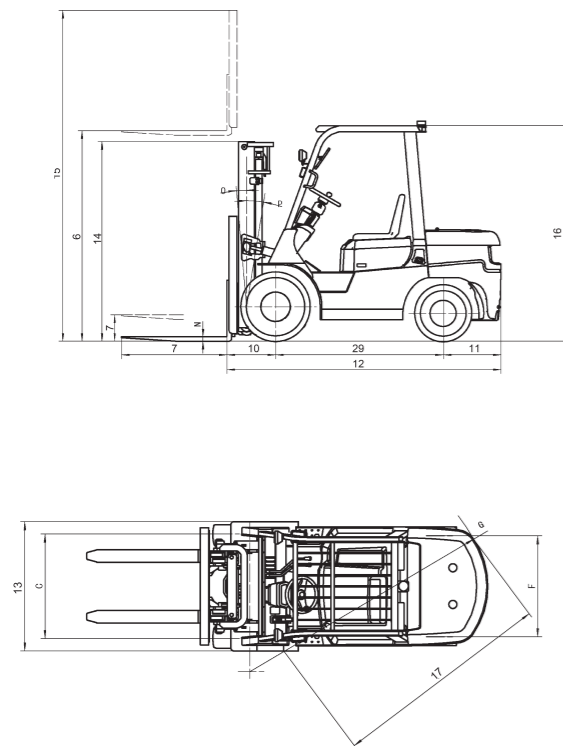
1. Special lifting height available. 2. Attachment available.
 3. The specification in the table are for standard models only . For further information please contact us

2.0~2.5t DW series mast: (Pneumatic)

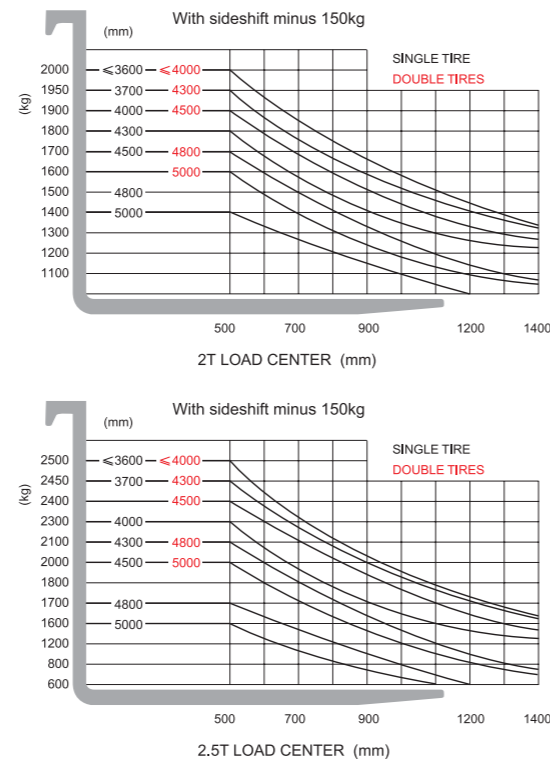
Type	Model	Max.fork height	Overall height				Free lift		Front Overhang		Tilt range		Capacity			
			Lowered	Extended		Without backrest	With backrest	2.0t	2.5t	FWD	BWD	Load capacity at 500mm				
				Without backrest	With backrest							Single tire		Double tire		
												2.0t	2.5t	2.0t	2.5t	
mm	mm	mm	mm	mm	mm	mm	mm	Deg	Deg	kg	kg	kg	kg			
Wide view 2-stage mast	2W300	3000	1995	3540	4220	120	120	440	440	6	12	2000	2500	2000	2500	
	2W330	3300	2145	3690	4370	120	120	440	440	6	12	2000	2500	2000	2500	
	2W350	3500	2245	3890	4570	120	120	440	440	6	12	2000	2500	2000	2500	
	2W360	3600	2295	3990	4670	120	120	440	440	6	12	2000	2500	2000	2500	
	2W400	4000	2495	4040	4720	120	120	440	440	6	12	1900	2300	2000	2500	
	2W430	4300	2645	4340	5020	120	120	440	440	6	6	1800	2100	1950	2450	
	2W450	4500	2745	4290	4970	120	120	440	440	6	6	1700	2000	1900	2400	
Full free 2-stage mast	2F300	3000	2050	2590	3270	1460	810	440	440	6	12	2000	2500	2000	2500	
	2F330	3300	2200	3840	4520	1610	960	440	440	6	12	2000	2500	2000	2500	
Full free 3-stage mast	3F430	4300	1970	4240	4880	1360	730	440	440	6	6	1700	2000	1900	2400	
	3F450	4500	2050	5720	5040	1460	810	460	460	6	6	1600	1900	1800	2300	
	3F480	4800	2095	6020	5345	1565	915	460	460	6	6	1500	1700	1700	2100	
	3F500	5000	2240	6220	5540	1610	960	460	460	6	6	1400	1600	1600	2000	
	3F550	5500	2320	6800	6120	1770	1120	460	460	3	6	1050	1200	1500	1800	
	3F600	6000	2740	7220	6540	2020	1370	460	460	3	6	700	800	1400	1600	

Note: With sideshift minus 150Kg, with integral sideshift minus 100Kg.

DIMENSIONS



**LOAD CAPACITY CHART
2-stage mast**

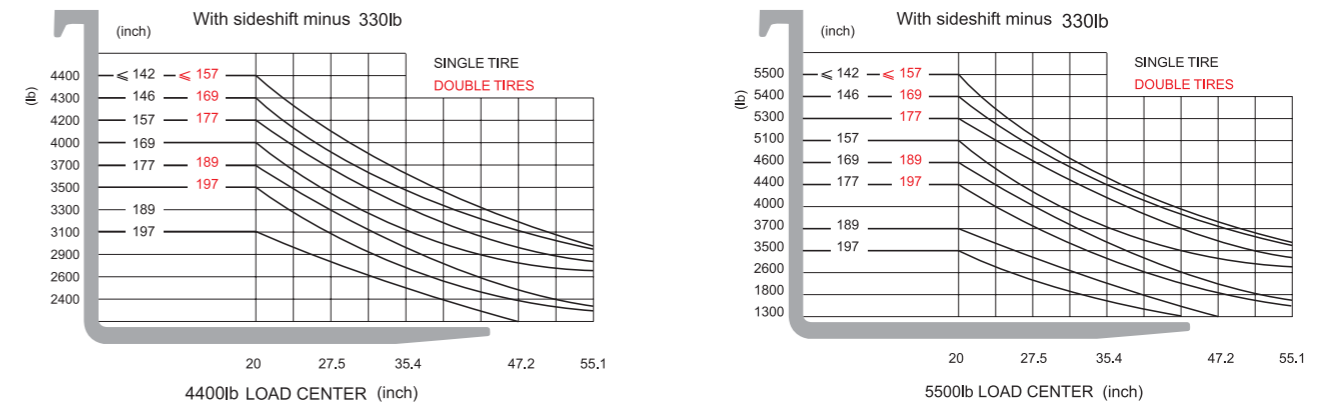


4400-5500lb series mast: (Pneumatic)

Type	Model	Max.fork height	Overall height				Free lift		Front Overhang		Tilt range		Capacity			
			Lowered	Extended		Without backrest	With backrest	4400lb	5500lb	FWD	BWD	Load capacity at 20 inch				
				Without backrest	With backrest							Single tire		Double tire		
												4400lb	5500lb	4400lb	5500lb	
inch	inch	inch	inch	inch	inch	inch	inch	Deg	Deg	lb	lb	lb	lb			
Wide view 2-stage mast	2W300	118	79	139	166	4.7	4.7	17.3	17.3	6	12	4400	5500	4400	5500	
	2W330	130	84	145	172	4.7	4.7	17.3	17.3	6	12	4400	5500	4400	5500	
	2W350	138	88	153	180	4.7	4.7	17.3	17.3	6	12	4400	5500	4400	5500	
	2W360	142	90	157	184	4.7	4.7	17.3	17.3	6	12	4400	5500	4400	5500	
	2W400	157	98	159	186	4.7	4.7	17.3	17.3	6	12	4200	5100	4400	5500	
	2W430	169	104	171	198	4.7	4.7	17.3	17.3	6	6	3900	4600	4300	5400	
	2W450	177	108	169	196	4.7	4.7	17.3	17.3	6	6	3700	4400	4200	5300	
Full free 2-stage mast	2F300	118	81	102	129	57	32	17.3	17.3	6	12	4400	5500	4400	5500	
	2F330	130	87	151	178	63	38	17.3	17.3	6	12	4400	5500	4400	5500	
Full free 3-stage mast	3F430	169	78	167	192	54	29	17.3	17.3	6	6	3700	4400	4200	5300	
	3F450	177	81	225	198	57	32	18.1	18.1	6	6	3500	4200	4000	5100	
	3F480	189	82	237	210	62	36	18.1	18.1	6	6	3300	3700	3700	4600	
	3F500	197	88	245	218	63	38	18.1	18.1	6	6	3100	3500	3500	4400	
	3F550	217	91	268	241	70	44	18.1	18.1	3	6	2300	2700	3300	4000	
	3F600	236	108	284	257	80	54	18.1	18.1	3	6	1500	1800	3100	3500	

Note: With sideshift minus 330lb, with integral sideshift minus 220lb.

**LOAD CAPACITY CHART
2-stage mast**



3.0-3.5t DW series mast: (Pneumatic)

Type	Model	Max.fork height	Overall height				Free lift		Front Overhang		Tilt range		Capacity			
			Lowered	Extended		Without backrest	With backrest	3.0t	3.5t	FWD	BWD	Load capacity at 500mm				
				Without backrest	With backrest							Single tire		Double tire		
			mm	mm	mm	mm	mm	mm	Deg	Deg	kg	kg	kg	kg		
Wide view 2-stage mast	2W300	3000	2025	3570	4250	120	120	440	440	6	12	3000	3500	3000	3500	
	2W330	3300	2145	3690	4370	120	120	440	440	6	12	3000	3500	3000	3500	
	2W350	3500	2245	3890	4570	120	120	440	440	6	12	3000	3500	3000	3500	
	2W360	3600	2295	3990	4670	120	120	440	440	6	12	3000	3500	3000	3500	
	2W400	4000	2495	4040	4720	120	120	440	440	6	12	2850	3250	3000	3500	
	2W430	4300	2645	4340	5020	120	120	440	440	6	6	2700	3000	2900	3400	
	2W450	4500	2745	4290	4970	120	120	440	440	6	6	2550	2850	2850	3350	
Full free 2-stage mast	2F300	3000	2080	2620	3300	1460	810	440	440	6	12	3000	3500	3000	3500	
	2F330	3300	2230	3870	4550	1610	960	440	440	6	12	3000	3500	3000	3500	
Full free 3-stage mast	3F430	4300	2000	5570	4910	1360	730	460	460	6	6	2550	2550	2850	3350	
	3F450	4500	2080	5750	5070	1460	810	460	460	6	6	2400	2400	2700	3200	
	3F480	4800	2125	6050	5375	1565	915	460	460	6	6	2250	2250	2550	2900	
	3F500	5000	2270	6250	5570	1610	960	460	460	6	6	2100	2100	2400	2750	
	3F550	5500	2350	6830	6150	1770	1120	460	460	3	6	1650	1650	2250	2550	
	3F600	6000	2770	7250	6570	2020	1370	460	460	3	6	1200	1200	2100	2300	

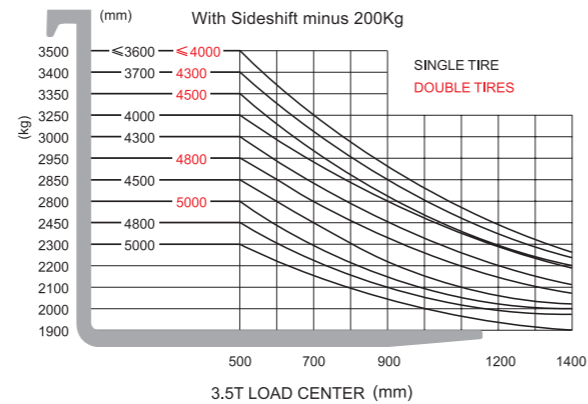
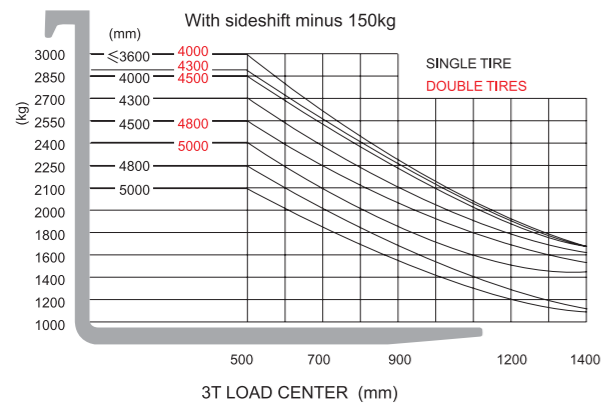
Note: With sideshift minus 200Kg, with integral sideshift minus 150Kg.

6600-7700lb series mast: (Pneumatic)

Type	Model	Max.fork height	Overall height				Free lift		Front Overhang		Tilt range		Capacity			
			Lowered	Extended		Without backrest	With backrest	6600lb	7700lb	FWD	BWD	Load capacity at 20 inch				
				Without backrest	With backrest							Single tire		Double tire		
			inch	inch	inch	inch	inch	inch	Deg	Deg	lb	lb	lb	lb		
Wide view 2-stage mast	2W300	118	80	141	167	4.7	4.7	17.3	17.3	6	12	6600	7700	6600	7700	
	2W330	130	84	145	172	4.7	4.7	17.3	17.3	6	12	6600	7700	6600	7700	
	2W350	138	88	153	180	4.7	4.7	17.3	17.3	6	12	6600	7700	6600	7700	
	2W360	142	90	157	184	4.7	4.7	17.3	17.3	6	12	6600	7700	6600	7700	
	2W400	157	98	159	186	4.7	4.7	17.3	17.3	6	12	6300	7200	6600	7700	
	2W430	169	104	171	198	4.7	4.7	17.3	17.3	6	6	6000	6600	6400	7500	
	2W450	177	108	169	196	4.7	4.7	17.3	17.3	6	6	5600	6300	6300	7400	
Full free 2-stage mast	2F300	118	82	103	130	57	32	17.3	17.3	6	12	6600	7700	6600	7700	
	2F330	130	88	152	179	63	38	17.3	17.3	6	12	6600	7700	6600	7700	
Full free 3-stage mast	3F430	169	79	219	193	54	29	18.1	18.1	6	6	5600	5600	6300	7400	
	3F450	177	82	226	200	57	32	18.1	18.1	6	6	5300	5300	6000	7100	
	3F480	189	84	238	212	62	36	18.1	18.1	6	6	5000	5000	5600	6400	
	3F500	197	89	246	219	63	38	18.1	18.1	6	6	4600	4600	5300	6100	
	3F550	217	93	269	242	70	44	18.1	18.1	3	6	3600	3600	5000	5600	
	3F600	236	109	285	259	80	54	18.1	18.1	3	6	2600	2600	4600	5100	

Note: With sideshift minus 440lb, with integral sideshift minus 330lb.

LOAD CAPACITY CHART 2-stage mast



LOAD CAPACITY CHART 2-stage mast

